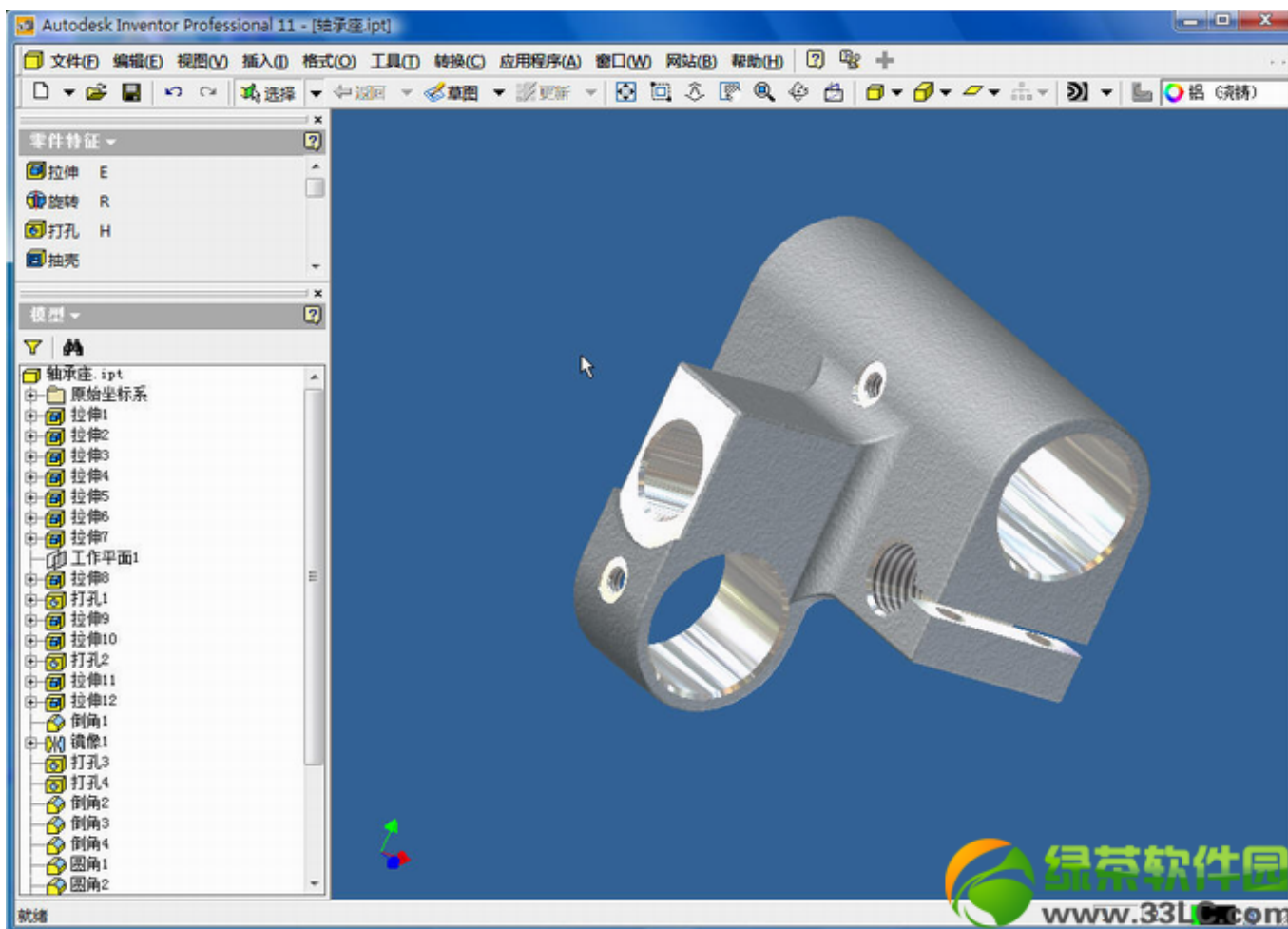




0-WEB.ru

[Autodesk Inventor Fusion For Mac Free Download](#)



[Autodesk Inventor Fusion For Mac Free Download](#)



0-WEB.ru

Your feedback will determine if we are correct in our thinking The system requirements for Inventor Fusion for Mac include most relatively recent Mac Pro, iMac, and MacBook Pro models with specific graphics options from AMD, NVIDIA or Intel.. This new type of the free form rebar distribution increases 3D rebar modeling versatility and helps you define accurate reinforcement for standard and non-standard shapes of concrete elements.. There you have it, Inventor running “inside” of MacOS Are there any drawbacks?.

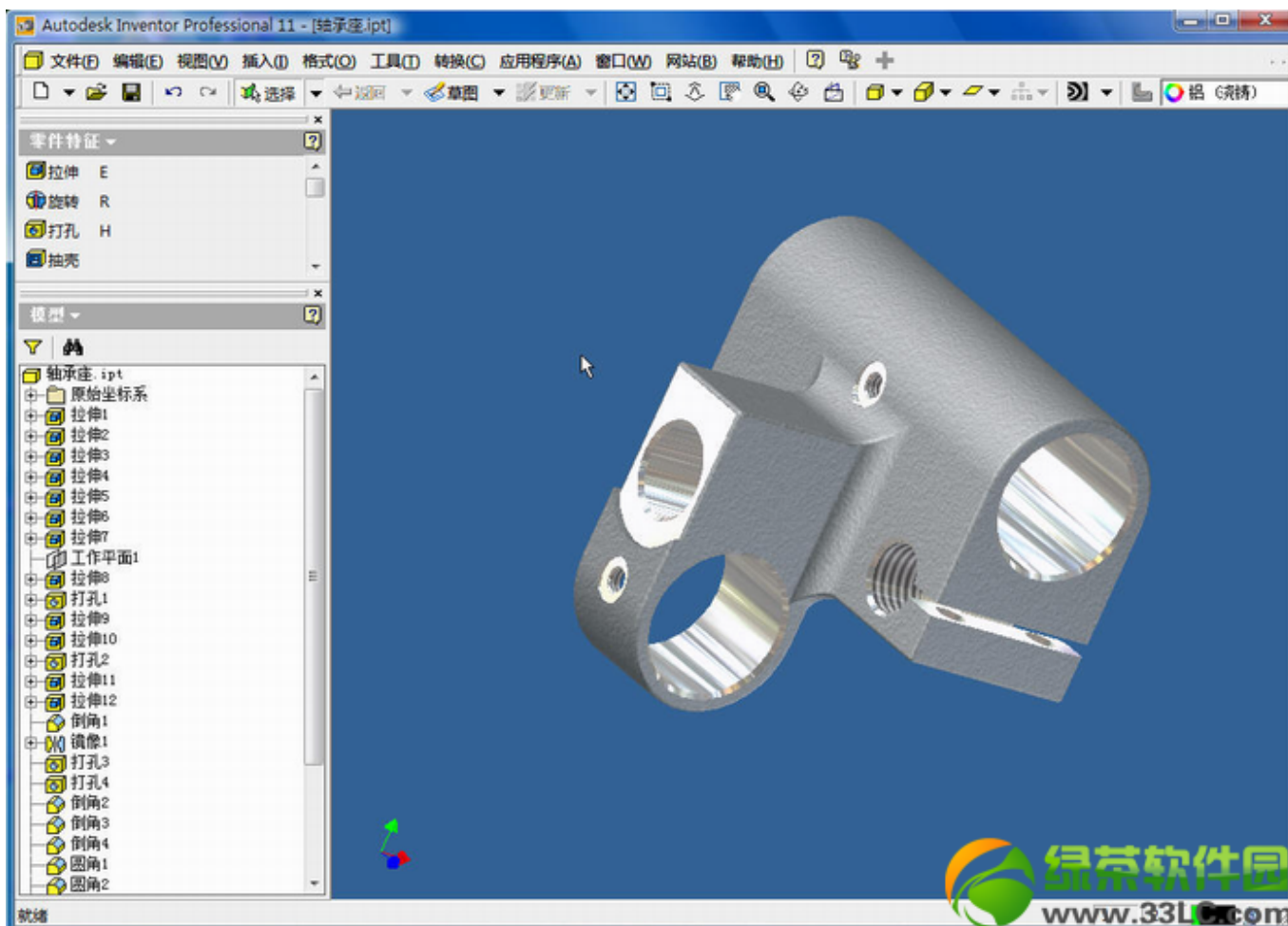
1. [autodesk inventor fusion](#)
2. [autodesk inventor fusion 2012](#)
3. [autodesk inventor fusion 360 download](#)

Mac users can download the latest version of Autodesk Inventor Fusion for free Autodesk Inventor 2018 Free DownloadAs mentioned on the official Autodesk website, Autodesk Inventor Fusion for Mac OS X includes intuitive direct manipulation tools, and provides direct modeling for easy design changes without any limitations.. Autocad Inventor For MacTry Fusion 360 for free Get full use of Fusion 360 with a 30-day free trial by sending yourself a link to download on a Mac or PC.. Hopefully this technology preview will make it easier to open and edit 3D models from virtually any source and incorporate them into new or existing designs (such as in Autodesk Inventor).. Free autodesk inventor Autodesk Inventor Pro 2019 for [Mac + Win] Autodesk Inventor is parametric software.

autodesk inventor fusion

autodesk inventor fusion, autodesk inventor fusion 2013, autodesk inventor fusion 2012, autodesk inventor fusion history, autodesk inventor fusion 360 download, autodesk inventor fusion 2013 download, autodesk inventor fusion for mac free download, autodesk inventor fusion 360 difference, autodesk inventor fusion free, autodesk inventor fusion 2013 tutorial pdf, autodesk inventor fusion download [Emedia Guitar Method V6](#)

Bars in an aligned distribution are created at the intersection of each individual bar plane with the host surface.. Download autodesk inventor fusion mac for free Design & Photo downloads - Autodesk Inventor Fusion by Autodesk Inc. [Fast Downloader For Android Phones](#)



[Applications For Google Classroom Mac](#)

autodesk inventor fusion 2012

[Flexiglass 1.5.1 – Window Manager](#)

Our aim is to set a new standard for Assembly design, giving users greater control over designs without sacrificing productivity.

[Shopping Lightning Powersilicone Soft Skin Protector Cover For Mac](#)

autodesk inventor fusion 360 download

[Hardware Id Acpi Smo8800 Driver For Mac](#)

As with the surface distribution type, you can model aligned distribution type by working in 3D views and selecting the structural element faces to which the bars are aligned.. Inventor Fusion is a free technology preview that enables creation of designs through intuitive direct manipulation tools.. Autocad Inventor For Mac3d cad software for mac

Autodesk_inventor_fusion Back in January at Macworld, we noted that Autodesk was planning to bring its Inventor Fusion mechanical design software to the Mac.. Autocad Inventor MacAutodesk Inventor Fusion Mechanical Design software, free download By Paul Crowe The explosion of new computer tools for anyone with a desire to work in mechanical design and manufacturing is impressive, and here is an opportunity to try out a real heavyweight from Autodesk.. Download Autodesk Inventor from a browser in Parallels Install and run Inventor.. All the bars are planar, respect the cover of the host and are aligned to the distribution path. e828bfe731 [edius software](#)

e828bfe731

[Bpr 6 Business Portable Recorder 6 Driver For Mac](#)